

RapidFree™

TECHNICAL DATA SHEET



WORKING SPECIFICATION

Mains Power Supply:

100-240V AC / 50-60Hz

Operating Voltage

6-9VDC

Maximum Load

≈ 2.7W @ 9v, 300mA (During WiFi transmission)

Working Load

≈ 1.35W @ 9v, 150mA

Approvals

CE

Working Temperature

5 - 30°C

Installation Distances

Device to cubicle back wall (line of sight) – 2 . 5m max

Mounting Options

Wall mounted, Ceiling mounted or Door frame mounted,

Online Connectivity

WiFi, LoRaWAN, GSM

Data Feedback

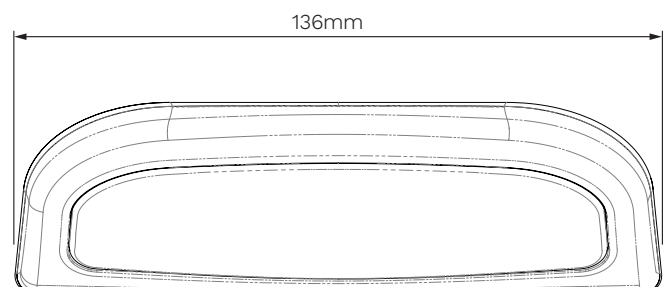
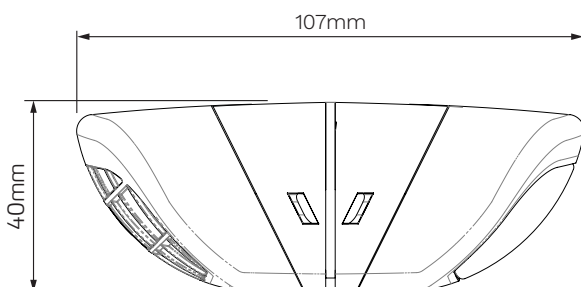
Real time cubicle occupancy, Average dwell time, Remote access to settings, Peak time analysis, Activation count, Email alerts, Toilet paper monitoring

Online Security Protocols

Local access + Password protected connectivity portal, SSL encryption, SHA256 hash encryption

Warranty

Contract dependant (2 year - unlimited)

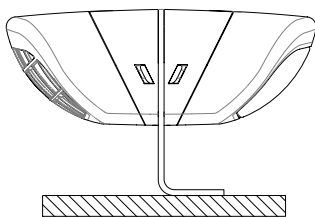


INSTALLATION MOUNTING OPTIONS

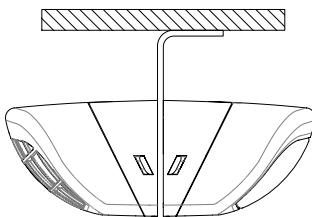
The Rapid Free can be supplied with 3 different mounting brackets. These brackets can be fixed to most surfaces using standard wall fixings.

When mounting the Rapid Free to a wall or panel there must be an adjoining hole (at least 16mm in diameter) in the panel to allow the connector cable to link both light and sensor sides of the product.

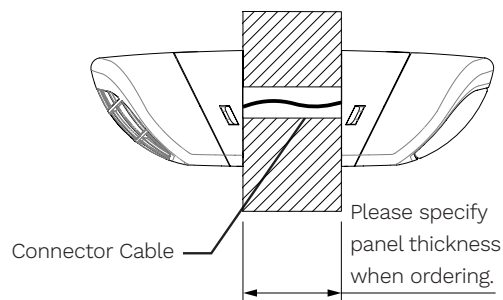
Door Frame Mounted



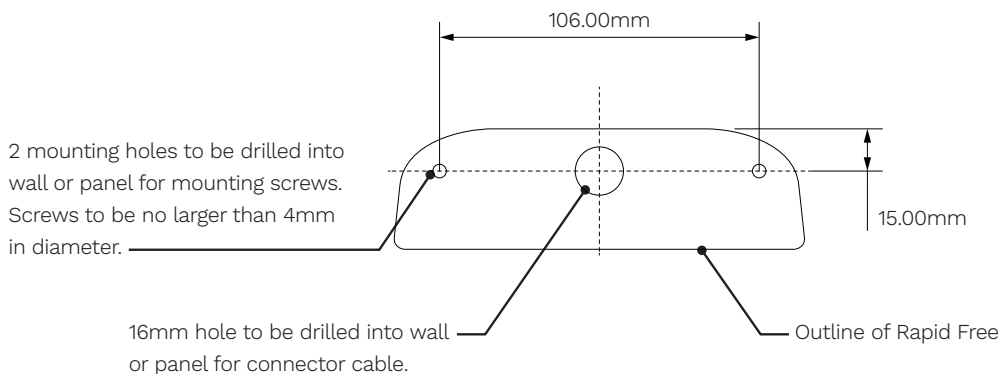
Ceiling Mounted



Wall Mounted



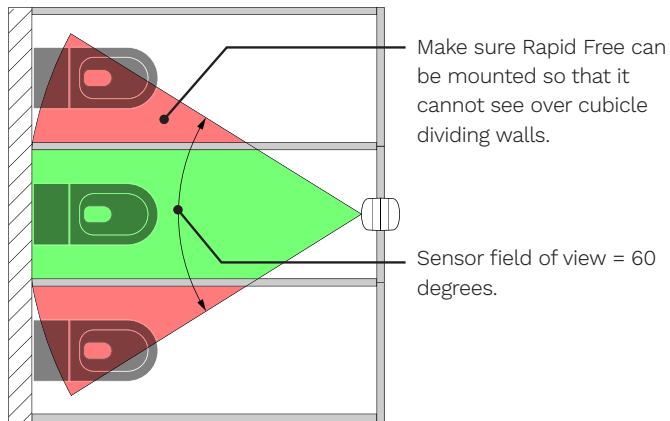
Wall Mounted - Hole Drilling Requirements



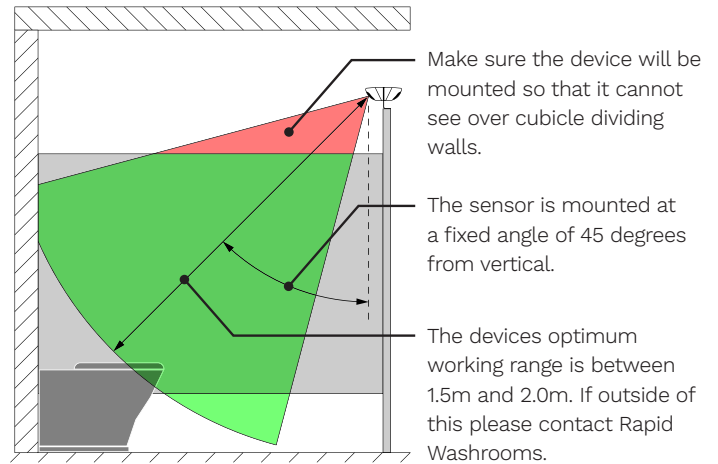
MOUNTING POSITION REQUIREMENTS

It is important to check that your cubicles will be compatible with the sensor used inside the Rapid Free product.

Plan View



Side View



POWER SUPPLY AND INSTALLATION

Up to 8 Rapid Free Units can be connected to a single 9V power supply. They are connected to the power supply as show in the diagram below.

