



**Rapid Soap™**



## TECHNICAL DATA SHEET

### DISPENSER SPECIFICATION

**Materials:**

Solid 316 Stainless Steel - Marine Grade

**Finish**

Sateen (Optional scratch resistant PVD coating)

**Weight**

1Kg

**Mounting Styles**

Wall and counter mounted options

**Mounting Hole Size**

26mm diameter

**Deck / Wall Thickness**

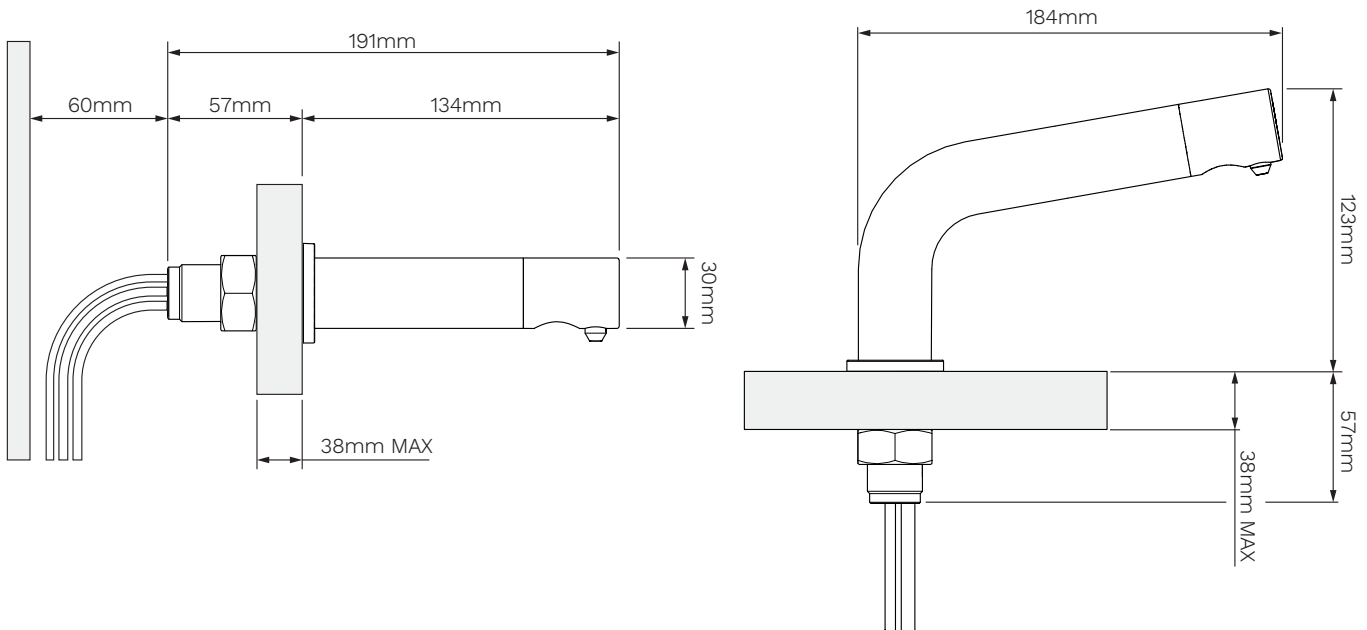
38mm (Max)

**Anti-Rotation**

Features anti-rotation technology

**Maintenance**

All maintenance performed from the front of unit following installation





**Rapid Soap™**



## TECHNICAL DATA SHEET

### WORKING SPECIFICATION

#### Mains Power Supply:

100-240V AC / 50-60Hz

#### Operating Voltage

12V DC

#### Maximum Load

≈ 7W / 600mA

#### Working Temperature

5 - 55°C

#### Sensor

50 - 250mm Range (Pre-set to 50mm)

#### Approvals

CE

#### Dose Size

0.30 - 1.25ml per activation

#### Installation Distances

Pump to dispenser - 3m Max , Pump to reservoir - 8m Max

#### Wall Mounting

Snap fit, quick release wall bracket included

#### Online Connectivity

WiFi, LoRaWAN, GSM

#### Data Feedback

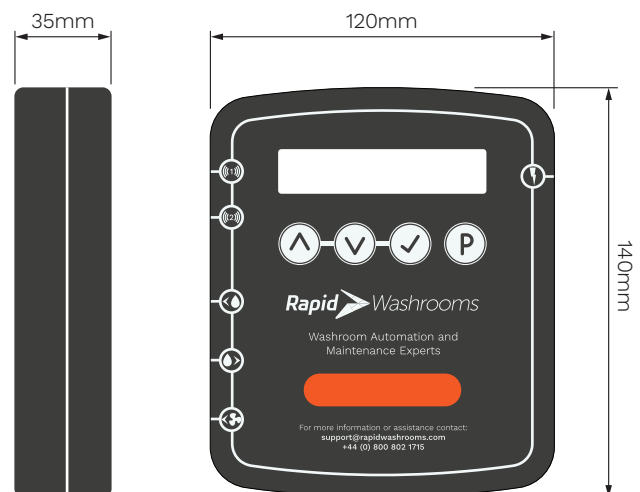
Average consumption, Predicted replenishment, Live consumable level feedback, Remote access to settings, Peak time analysis, Activation count, Email alerts

#### Online Security Protocols

Local access + key combination required to launch portal, SSL encryption, SHA256 hash encryption

#### Warranty

Contract Dependant (2 year - unlimited)





**Rapid Soap™**



## TECHNICAL DATA SHEET

### SOAP SPECIFICATION

#### Soap Compatibility

Foaming Soap Only

#### Soap Storage Capacity

5L, 10L containers

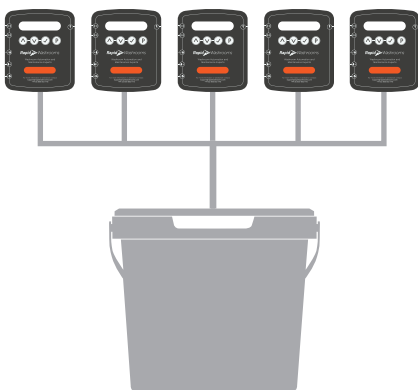
#### Recommended Soap

Rapid Foaming Soap (Other soaps must be verified)

5 Litre  
Height 195mm  
Plan: 200mm x 200mm  
Weight 5kg



10 Litre  
Height 264mm  
Plan: 285 x 245mm  
Weight 10kg



**Multi-Feed Compatible**



**Individual-Feed Compatible**

## INSTALLATION REQUIREMENTS & IMPORTANT INFORMATION

### Sinks/Walls

Appropriate for any sink or wall with a 26mm mounting hole and a maximum material thickness of 38mm.

### Soap Reservoir Position

Please see the below diagram that shows appropriate mounting positions.

### Set up of Soap Dispenser

The Soap Dispenser is delivered ready to use, if you wish to change any of the settings of the Soap Dispenser you can do so via the UI on the dispenser.

### Recommended Soap

Rapid Washrooms Soap. Alternative soaps must be verified for compatibility.

### Power

Transformer supplied with 2 core cable with stripped ends. Recommended to hard-wire to spur. Check your buildings requirements.

